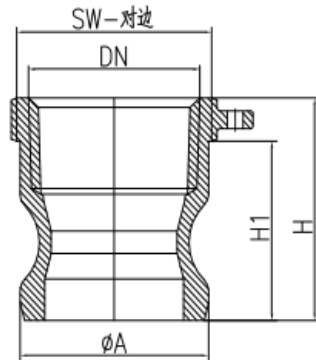


# Cangzhou Changyuan Fittings Co.,Ltd

Add:No.26 Shigang Road,Development Zone,Cangzhou ,Hebei,China Pc:061000

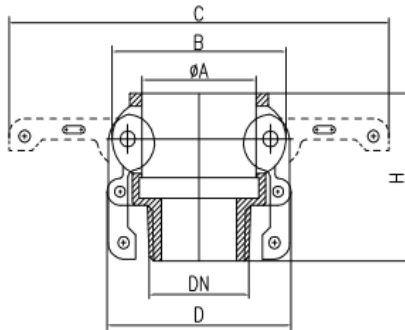
[Http://www.con-well.com](http://www.con-well.com) email:con-well@vip.163.com

## Quick Coupling ,Type III 2014-1-1



TYPE: A ADAPTOR FEMALE--(Type III)

DN	1"	1 1/4"	1 1/2"	2"	2 1/2"-BSP	2 1/2"-NPT	3"	4"
ΦA	36.7	45.5	53.4	63.1	75.8	75.8	91.5	119.6
H1	33	39	42	47	49	49	50	51.5
H1	41	49	52	57	76	60	63	68.5
SW-对边	37	46	52	64.5	80	77.5	94	120



TYPE: B COUPLER MALE--(Type III)

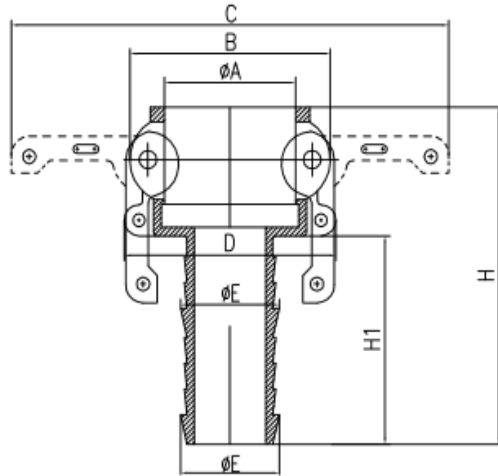
DN	1"	1 1/4"	1 1/2"	2"	2 1/2"-BSP	2 1/2"-NPT	3"	4"
ΦA	37.6	46.2	54.1	63.8	76.6	76.6	92.5	121
B	57	68.5	77	88	100	100	123.5	151
C	125	175	185	200	210	210	240	270
D	60.5	72.5	80.5	94	107	107	135	161
H	55	62.5	64	72	77	77	83	88

# Cangzhou Changyuan Fittings Co.,ltd

Add:No.26 Shigang Road,Development Zone,Cangzhou ,Hebei,China Pc:061000

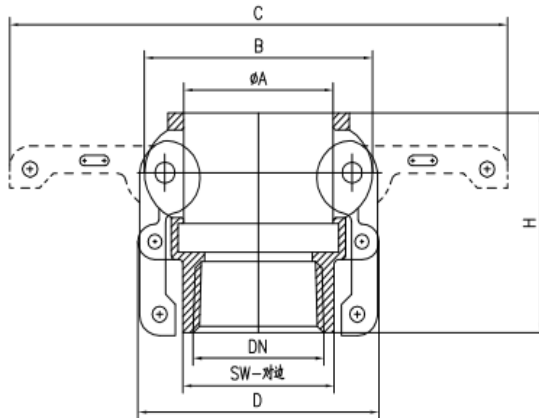
[Http://www.con-well.com](http://www.con-well.com) email:con-well@vip.163.com

## Quick Coupling ,Type III 2014-1-1



TYPE: C COUPLER HOSE SHANK--(Type III)

DN	1"	1 1/4"	1 1/2"	2"	2 1/2"	3"	4"
$\phi A$	37.6	46.2	54.1	63.8	76.6	92.5	121
B	57	68.5	77	88	100	123.5	151
C	125	175	185	200	210	240	270
D	60.5	72.5	80.5	94	107	135	161
$\phi E$	27	34	41	53	67	79	105
H1	55	57	62.5	67.5	70	85	94
H1	92.5	100	106	117	122	140	148



TYPE: D COUPLER FEMALE--(Type III)

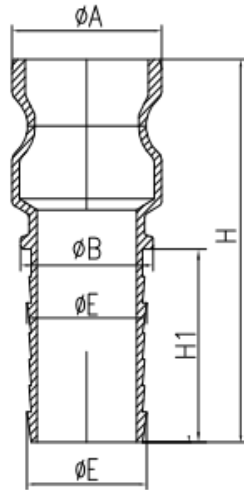
DN	1"	1 1/4"	1 1/2"	2"	2 1/2"-BSP	2 1/2"-NPT	3"	4"
$\phi A$	37.6	46.2	54.1	63.8	76.6	76.6	92.5	121
B	57	68.5	77	88	100	100	123.5	151
C	125	175	185	200	210	210	240	270
DN	60.5	72.5	80.5	94	107	107	135	161
SW-对边	37.5	46	52	64.5	80	77.5	94	120
H	52.5	59.5	59.5	68.5	74	74	80	85

# Cangzhou Changyuan Fittings Co.,ltd

Add:No.26 Shigang Road,Development Zone,Cangzhou ,Hebei,China Pc:061000

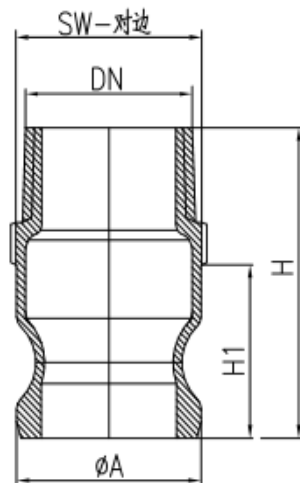
[Http://www.con-well.com](http://www.con-well.com) email:con-well@vip.163.com

## Quick Coupling ,Type III 2014-1-1



TYPE: E ADAPTOR HOSE SHANK--(Type III)

DN	1"	1 1/4"	1 1/2"	2"	2 1/2"	3"	4"
$\Phi A$	36.7	45.5	53.4	63.1	75.8	91.5	119.6
$\Phi B$	32	39	45	58	73	85	110
$\Phi E$	27	34	41	53	67	79	105
H1	51	52	55.5	60	62	74.5	83.5
H1	96.5	104.5	112	121.5	127	141.5	156



TYPE: F ADAPTOR MALE--(Type III)

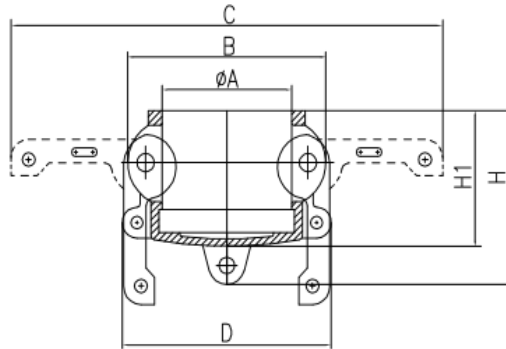
DN	1"	1 1/4"	1 1/2"	2"	2 1/2"-BSP	2 1/2"-NPT	3"	4"
$\Phi A$	36.7	45.5	53.4	63.1	75.8	75.8	91.5	119.6
H1	33	39	42	47	49	49	50	51.5
H	59	67	70	78.5	85	85	91	98.5
SW-对边	37	46	53.5	64.5	79	79	94	120

# Cangzhou Changyuan Fittings Co.,ltd

Add:No.26 Shigang Road,Development Zone,Cangzhou ,Hebei,China Pc:061000

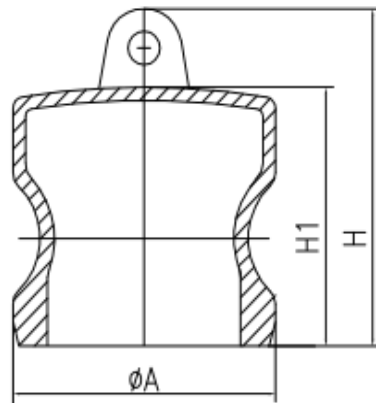
[Http://www.con-well.com](http://www.con-well.com) email:con-well@vip.163.com

## Quick Coupling ,Type III 2014-1-1



### TYPE: DC DUST--(Type III)

DN	1"	1 1/4"	1 1/2"	2"	2 1/2"	3"	4"
ΦA	37.6	46.2	54.1	63.8	76.6	92.5	121
B	57	68.5	77	88	100	123.5	151
C	125	175	185	200	210	240	270
D	60.5	72.5	80.5	94	107	135	161
H1	37	43	44	49.5	52	54.5	54.5
H	47.5	55	56	61	64	70	70



### TYPE: DP DUST PLUG---(Type III)

DN	1"	1 1/4"	1 1/2"	2"	2 1/2"	3"	4"
ΦA	36.7	45.5	53.4	63.1	75.8	91.5	119.6
H1	34.5	40.5	44	49	51	52.5	54
H	45	51	54.7	60	63	67	69